

# Masport®

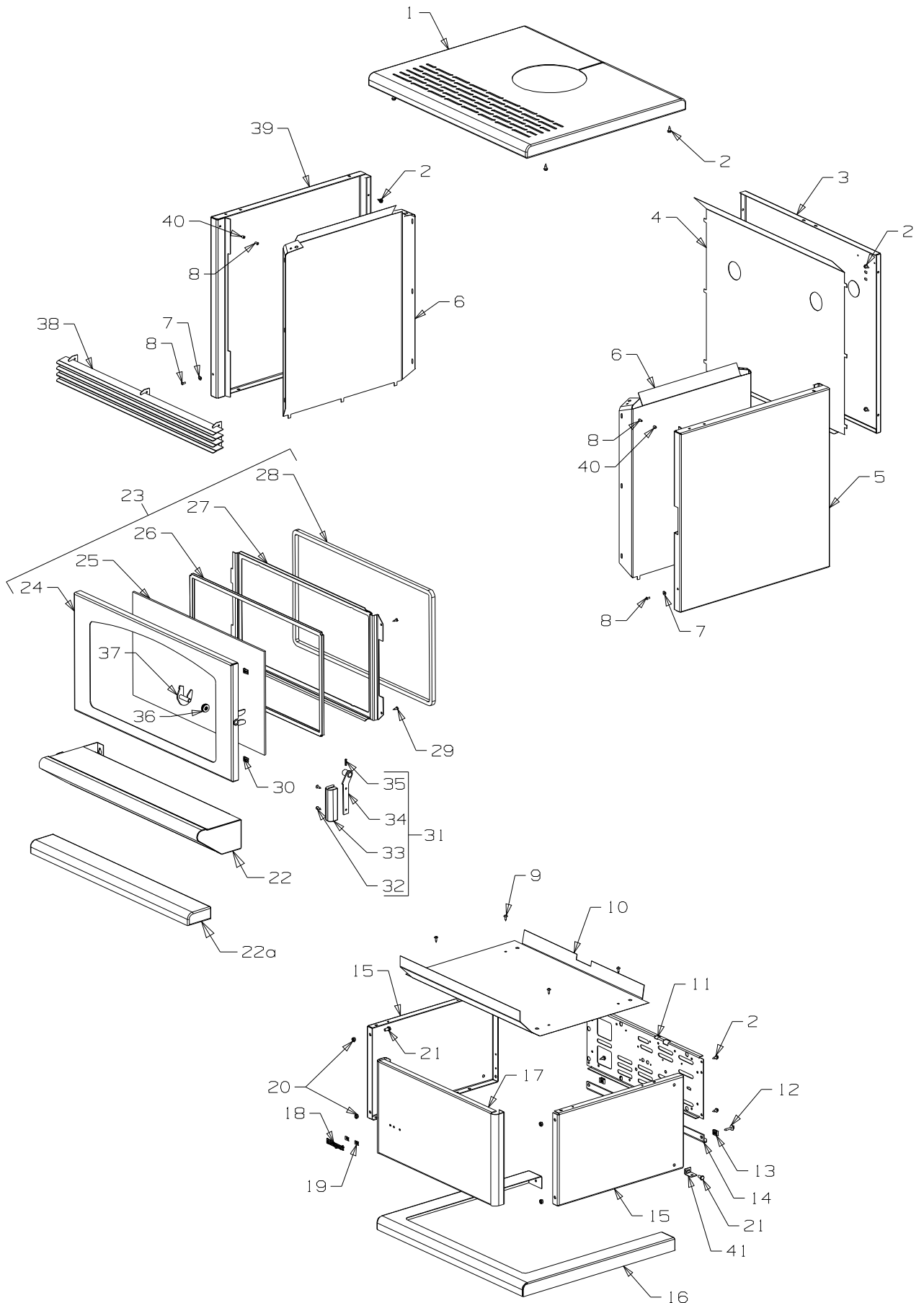
## FREESTANDING WOOD FIRES

### TORONTO (NZ & AUST)

|              |          | NZ     | AUST   |
|--------------|----------|--------|--------|
| Part Numbers | Charcoal | 993903 | 993904 |
|              | Black    | 993905 | 993906 |

From Serial Number 3016457

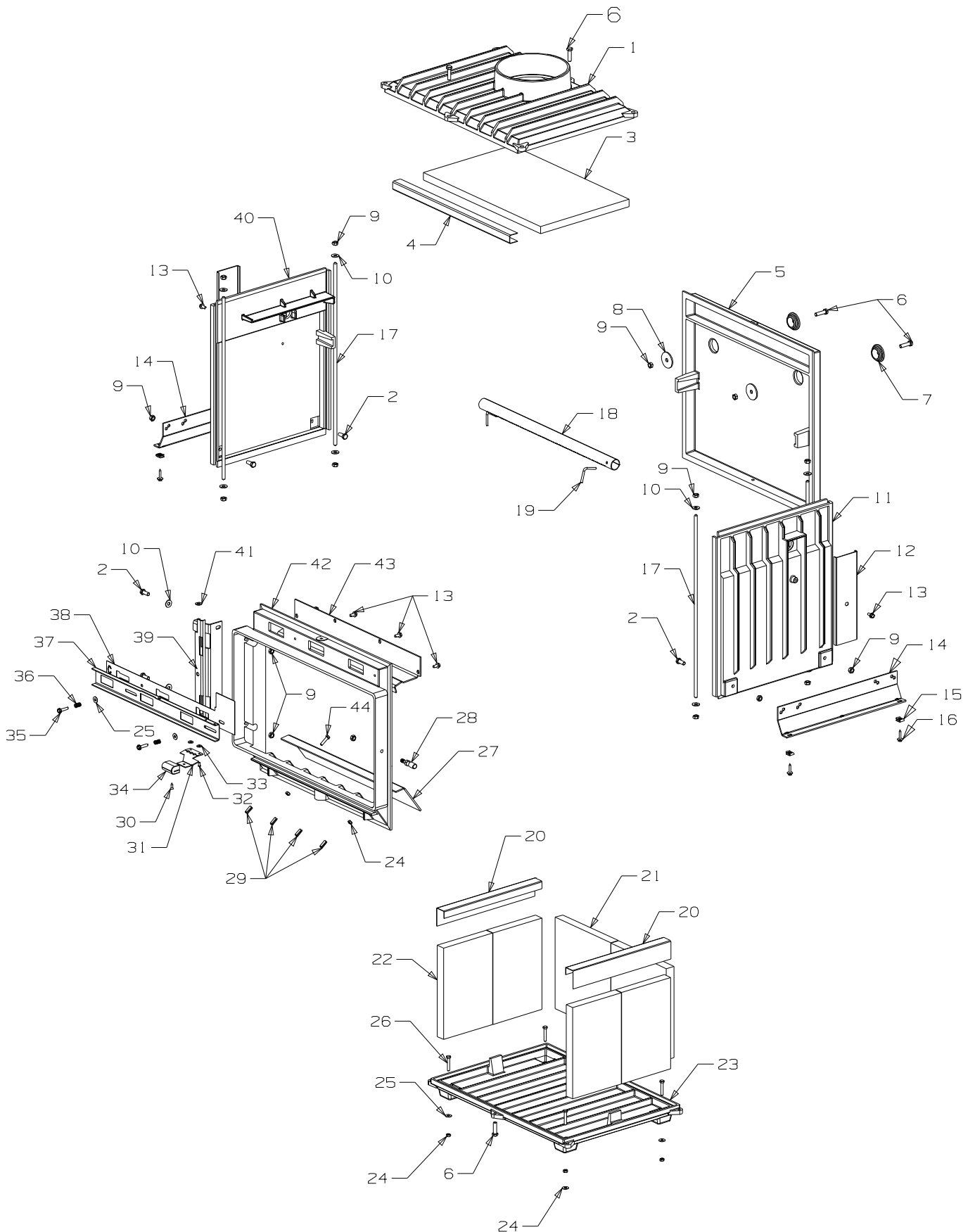






| Item No | Part No         | Description   | Qty | Item No         | Part No                    | Description                  | Qty |
|---------|-----------------|---|-----|-----------------|----------------------------|------------------------------|-----|
| 1       | <b>793072</b>   | Panel-Top - Black                                       | 1   | 21              | <b>501959</b>              | Screw, Set M6 x 12 Hex       | 4   |
|         | • <b>793061</b> | Panel-Top - Charcoal                                    | 1   | 22              | <b>987067</b>              | Shelf-Ash - Charcoal - NZ    | 1   |
| 2       | <b>503259</b>   | Screw; S/T 10 x .5                                      | 16  | • <b>987252</b> | Shelf-Ash - Black - NZ     | 1                            |     |
| 3       | <b>987323</b>   | Panel-Rear - Black                                      | 1   | 22a             | <b>793065</b>              | Panel-Front - Charcoal       |     |
| 4       | <b>987120</b>   | Heatshield-Back   | 1   |                 |                            | - Aust                       | 1   |
| 5       | <b>793068</b>   | Panel-Side, RH - Black                                  | 1   | • <b>793084</b> | Panel-Front - Black - Aust |                              | 1   |
|         | • <b>793063</b> | Panel-Side, RH - Charcoal                               | 1   | 23              | <b>793046</b>              | <b>Door Assy, Complete</b>   |     |
| 6       | <b>987121</b>   | Heatshield-Side   | 2   |                 |                            | - Charcoal                   | 1   |
| 7       | <b>986149</b>   | Spacer-Front Panel                                      | 2   | • <b>793045</b> | <b>Door Assy, Complete</b> |                              |     |
| 8       | <b>586167</b>   | Rivet-Pop 4.0 Dia x 4.8                                 | 8   |                 |                            | - Black                      | 1   |
| 9       | <b>503005</b>   | Screw; Pan No.10 x 1/2"                                 | 4   | 24              | <b>793017</b>              | • Panel-Door - Charcoal      | 1   |
| 10      | <b>994503</b>   | Heatshield-Bottom                                       | 1   | • <b>793066</b> | • Panel-Door - Black       |                              | 1   |
| 11      | <b>795588</b>   | Pedestal-Back - Charcoal                                | 1   | 25              | <b>793031</b>              | • Glass - 5 x 548 x 293      | 1   |
|         | • <b>791150</b> | Pedestal-Back - Black                                   | 1   | 26              | <b>793043</b>              | • Tape-Door, Flat 3 x 20     | 1   |
| 12      | <b>503459</b>   | Screw, S/T 12 x 25                                      | 6   | 27              | <b>994516</b>              | • Retainer-Glass             | 1   |
| 13      | <b>503388</b>   | Nut-Spire   | 6   | 28              | <b>793042</b>              | • Rope-Door, Round           | 1   |
| 14      | <b>995612</b>   | Bracket-Seismic Restraint                               | 2   | 29              | <b>501480</b>              | • Screw, S/T 8 x .5          | 4   |
| 15      | <b>993011</b>   | Pedestal-Sides - Charcoal                               | 1   | 30              | <b>503001</b>              | Nut-Spire                    | 4   |
|         | • <b>993073</b> | Pedestal-Sides - Black                                  | 1   | 31              | <b>793044</b>              | <b>Handle Assy-Door</b>      | 1   |
| 16      | <b>987065</b>   | Foot Assy - Charcoal - NZ<br>(Includes Trim (987218))   | 1   | 32              | <b>503004</b>              | • Screw; Csk No. 8 x 5/8"    | 4   |
|         | • <b>993095</b> | Foot Assy - Black - Aust<br>(Includes Trim (993096))    | 1   | 33              | <b>586161</b>              | • Handle-Door                | 1   |
|         | • <b>993093</b> | Foot Assy - Charcoal - Aust<br>(Includes Trim (993094)) | 1   | 34              | <b>986605</b>              | • Handle-Assy                | 1   |
| 17      | <b>993060</b>   | Pedestal-Front - Charcoal                               | 1   | 35              | <b>503006</b>              | • Pin, Tension 4.0 x 16      | 1   |
|         | • <b>993074</b> | Pedestal-Front - Black                                  | 1   | 36              | <b>501704</b>              | • Washer, Flat 10 x 21 x 1.6 | 4   |
| 18      | <b>584581</b>   | Badge   | 1   | 37              | <b>993038</b>              | • Latch-Door Assy, 10mm      | 1   |
| 19      | <b>503381</b>   | Push Fix Spire  | 2   | 38              | <b>986327</b>              | Grille-4 Louvre - Charcoal   | 1   |
| 20      | <b>501682</b>   | Nut, M6 Hex   | 22  | 39              | <b>793067</b>              | Panel-Side, LH - Black       | 1   |
|         |                 |   |     | • <b>793062</b> | Panel-Side, LH - Charcoal  |                              | 1   |
|         |                 |   |     | 40              | <b>986148</b>              | Spacer-Grille                | 2   |
|         |                 |   |     | 41              | <b>986413</b>              | Bracket-Seismic Restraint    | 2   |

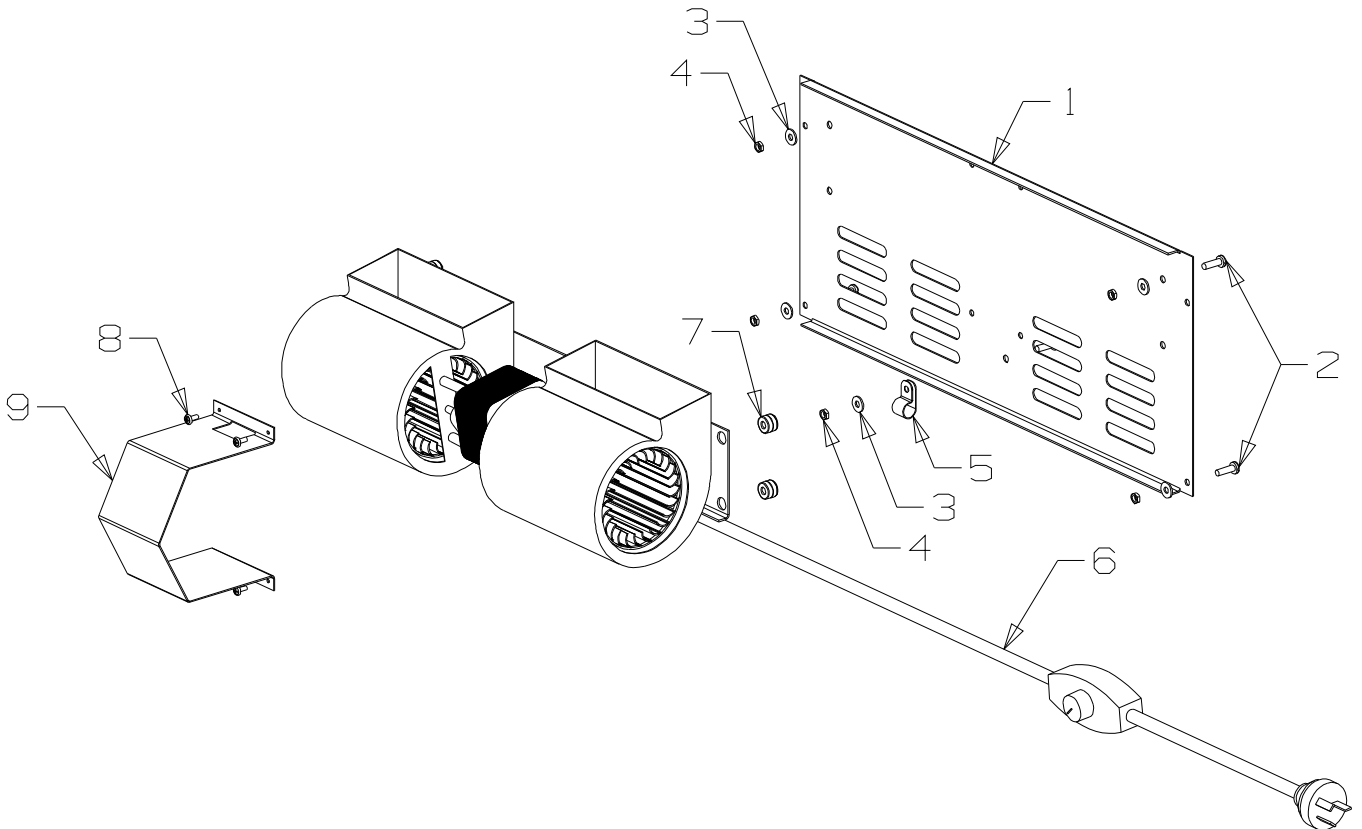
**Bold Text** = Assembly  
**Indented Bullet Points** = Item included in Assembly





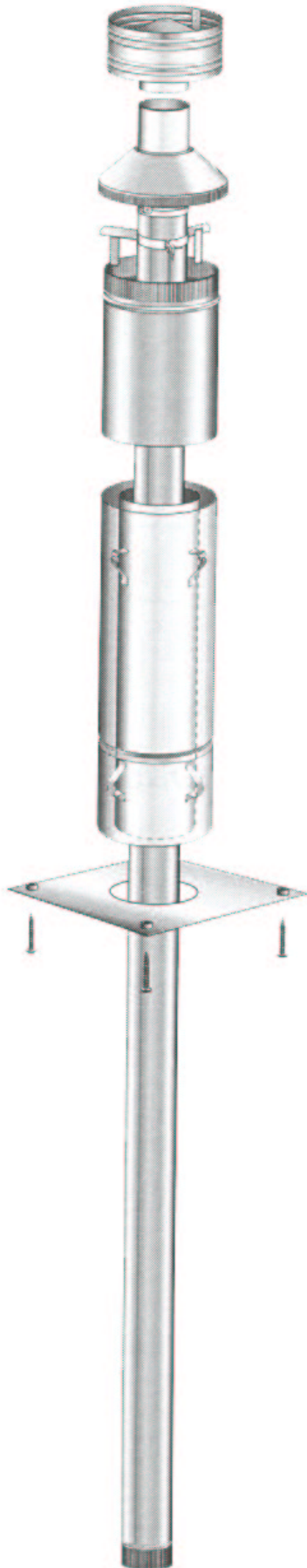
| Item No | Part No  | Description                  | Qty | Item No | Part No  | Description                    | Qty |
|---------|----------|------------------------------|-----|---------|----------|--------------------------------|-----|
| 1       | 795544   | Firebox-Top                  | 1   | 21      | 787112   | Brick-Fire, Back (Incl.20 (1)) |     |
| 2       | 501597   | Screw, Set M8 x 20 Hex       | 6   |         |          | - 223mm x 250mm x 25mm         | 2   |
| 3       | 787109   | Board-Firebox Top (1 pack)   |     | 22      | 987375   | Brick-Fire, Side (Incl.20 (2)) |     |
|         |          | - 20mm x 290mm x 470mm       | 1   |         |          | - 160mm x 250mm x 25mm         | 4   |
|         | • 987373 | Board-Firebox Top (5 pack)   |     | 23      | 987304   | Firebox-Bottom                 | 1   |
|         |          | - 20mm x 290mm x 470mm       | 1   | 24      | 501682   | Nut, M6 Hex                    | 21  |
| 4       | 993048   | Channel-Baffle Reinforcer    |     | 25      | 500374   | Washer, Flat 1/4"              | 6   |
|         |          | - S/S                        | 1   | 26      | 501815   | Screw, Set M6 x 35             | 8   |
| 5       | 987303   | Firebox-Back                 | 1   | 27      | 986720   | Plate-Base Inner               | 1   |
|         | 984090   | <b>Plug Assy (Incl. 6-9)</b> | 2   | 28      | 594520   | Pin-Door Latch                 | 1   |
| 6       | 501685   | Screw, Set M8 x 30 Hex       | 6   | 29      | 503008   | Pin, Tension 8.0 x 20          | 4   |
| 7       | 684089   | • Plug - 34mm Dia            | 2   | 30      | 503004   | Screw; Csk No. 8 x 5/8"        | 4   |
| 8       | 502093   | • Washer, Flat 8 x 42 x 3.0  | 2   | 31      | 986166   | Extension-Slide, Air Inlet     | 1   |
| 9       | 501602   | • Nut, M8 Hex                | 22  | 32      | 586167   | Rivet-Pop 4.0 Dia x 4.8        | 8   |
| 10      | 501606   | Washer, Flat 8 x 19 x 1.6    | 10  | 33      | 500848   | Washer, Flat 3/16" x .5        | 4   |
| 11      | 787107   | Firebox-Side, RH             | 1   | 34      | 586162   | Knob-Air Control               | 1   |
| 12      | 986146   | Cover-Secondary Air          | 2   | 35      | 503336   | Screw, S/T M6 x 25             | 2   |
| 13      | 503003   | Screw; S/T 1/4" x.5 Hex      | 6   | 36      | 585223   | Spring-Compression,            |     |
| 14      | 987123   | Bracket-Mounting             | 2   |         |          | Air Inlet                      | 2   |
| 15      | 503388   | Nut-Spire                    | 6   | 37      | 987155   | Slide-Air Inlet 20 x 50        | 1   |
| 16      | 503459   | Screw, S/T 12 x 25           | 6   | 38      | 993064   | Plate-Meter, Back - NZ         | 1   |
| 17      | 587108   | Rod-Tie, M8                  | 4   |         | • 987178 | Plate-Meter, Back - AUST       | 1   |
| 18      | 987591   | Tube-Secondary Air,          |     | 39      | 993007   | Hinge Assy                     | 1   |
|         |          | - 65 x 3.5 S/S               | 1   | 40      | 787100   | Firebox-Side, LH               | 1   |
| 19      | 586439   | Pin-Retaining,               |     | 41      | 006025   | Washer, Flat 5/16"             | 1   |
|         |          | Secondary Air Tube           | 1   | 42      | 795558   | Firebox-Front                  | 1   |
| 20      | 987146   | Channel-Brick Retainer       |     | 43      | 987138   | Deflector-Primary Air          | 1   |
|         |          | - S/S                        | 3   | 44      | 501963   | Screw, Set M6 x 25 Hex         | 2   |

**Bold Text** = Assembly  
**Indented Bullet Points** = Item included in Assembly



## Part No. 587363

| Item No | Part No | Description                                   | Qty | Item No                | Part No         | Description        | Qty |
|---------|---------|---|-----|------------------------|-----------------|--------------------|-----|
| 1       | 987180  | Panel-Pedestal Back - Black                   | 1   | 9                      | 501110          | Screw; S/T 6 x .25 | 4   |
| 2       | 501580  | Screw, Pan M5 x 16                            | 5   | 10                     | 987187          | Cover-Fan Motor    | 1   |
| 3       | 500848  | Washer; Flat 3/16" x .5                       | 5   | <b>NOT ILLUSTRATED</b> |                 |                    |     |
| 4       | 501856  | Nut, M5 Hex                                   | 5   | 503054                 | Tie-Nylon Cable | 1                  |     |
| 5       | 586551  | Clamp-Cable Utilux                            | 1   |                        |                 |                    |     |
| 7       | 503671  | Grommet 14 OD x 6 ID                          | 4   |                        |                 |                    |     |
| 8       | 586575  | Fan-3 Speed Double End<br>- Incl. Cord Switch | 1   |                        |                 |                    |     |



## 175mm Flue Kit

(to suit **Toronto**, Grandview)

*Contains:*

- 3 x 1200mm lengths Flue (175mm Dia.)
- 1 x 1200mm length Outer / Inner Heat Shield Combination (275mm Dia.)
- 1 x 600mm Outer Shield Extension
- 1 x Anti Down Draught Cowl
- 1 x Casing Cover
- 1 x Top Flue Spacer Bracket
- 1 x Ceiling Plate
- 1 x Packet screws & Ceramic Spacers

Note: Flue Reflector is required for standard installations

**NZ ONLY**

**Part No: 556100**





| <b>Item No</b> | <b>Part No</b> | <b>Description</b>                        | <b>Qty</b> |
|----------------|----------------|---|------------|
|                |                | <b>NOT ILLUSTRATED</b>                    |            |
|                | <b>585416</b>  | Bag-Fire Bedding Sand (Firebox)           | <b>2</b>   |
|                | <b>584048</b>  | Tube-Maniseal (Firebox)                   | <b>1</b>   |
|                | <b>503054</b>  | Tie-Nylon Cable                           | <b>1</b>   |
|                | <b>593076</b>  | Owners Manual                             | <b>1</b>   |
|                |                | <b>ASSEMBLYS</b>                          |            |
|                | <b>993902</b>  | Firebox Assembly                          | <b>1</b>   |
|                |                | <b>ACCESSORIES</b>                        |            |
|                | <b>586044</b>  | Hot Water Booster - LE (also need 986788) | <b>1</b>   |
|                | <b>556266</b>  | Paint, Touch Up - Charcoal                | <b>1</b>   |
|                | <b>556123</b>  | Paint, Touch Up - Black                   | <b>1</b>   |